

QRNG[®] Series Model QRNG 240

Parts Manual
Record of Change 106

This manual contains important safety information and must be carefully read in its entirety and understood prior to installation by all personnel who install, operate and/or maintain this product.

On-line product registration, parts ordering and warranty information is available at www.quincycompressor.com

Manual No. 2022204200

July 2014 Edition

INTRODUCTION

This manual provides information for the QRNG Series, Model QRNG240 natural gas compressor per Record of Change 106.

The Model QRNG240 natural gas compressor is an aircooled, single stage, two cylinder, pressure lubricated compressor, capable of handling inlet pressures of -7.5 PSIG (15 in. mercury) up to 50 PSIG. Up to 125 PSIG of discharge pressure can be produced. It has a 4" bore x 3" stroke and can be run at 400-900 RPM.

TABLE OF CONTENTS

Serial Number Identification.....1
Ordering Replacement Parts1
Crankcase Group.....2
Crankshaft Group3
Bearing Carrier Group.....4
Connecting Rod & Piston Group6-7
Cylinder & Head Groups8-11
Head Assemblies12-15
Control Group16
Vent Piping Groups17-18
Gasket Set19
Recommended Spare Parts.....19
Quin-Cip Lubricant19
Decals19

ORDERING REPLACEMENT PARTS

All replacement parts are to be ordered through an authorized Quincy Compressor gas application distributor. **Insist on genuine Quincy parts only! Failure to do so may void warranty.**

Prompt service can be rendered on repair parts orders if the following information is given:

- Item 1)** the model number, record of change number, & serial number.
- Item 2)** the exact part number needed. (Do not order by item numbers.)
- Item 3)** the exact quantity needed.
- Item 4)** the preferred type of transportation.

MODEL & SERIAL NUMBER IDENTIFICATION

Record of Change No.



Model & Serial Number Identification Tag

The serial number identification tag is located on the handhole plate side of the crankcase. *Fill in the numbers from compressor in the corresponding spaces provided here, and reference this page when ordering replacement parts.*

CHANGES

since previous printing dated March 2014:

The bearing carrier group was redesigned with a new oil pump including an oil filter.

CRANKCASE LUBRICANT CAPACITY

Model	Capacity
QRNG 240	1 qt. - 22 oz. (1.6 lit.)

CAUTION !

Follow all safety precautions outlined in the QRNG Series instruction manual.

WARNING !

Do not operate this compressor without a totally enclosed belt guard or any other required safety equipment.

DANGER !

Air used for breathing or food processing must meet OSHA 1910.134 or FDA 21 CFR 178.3570 regulations. Failure to do so may cause severe injury or death.

CRANKCASE GROUP 2021039701

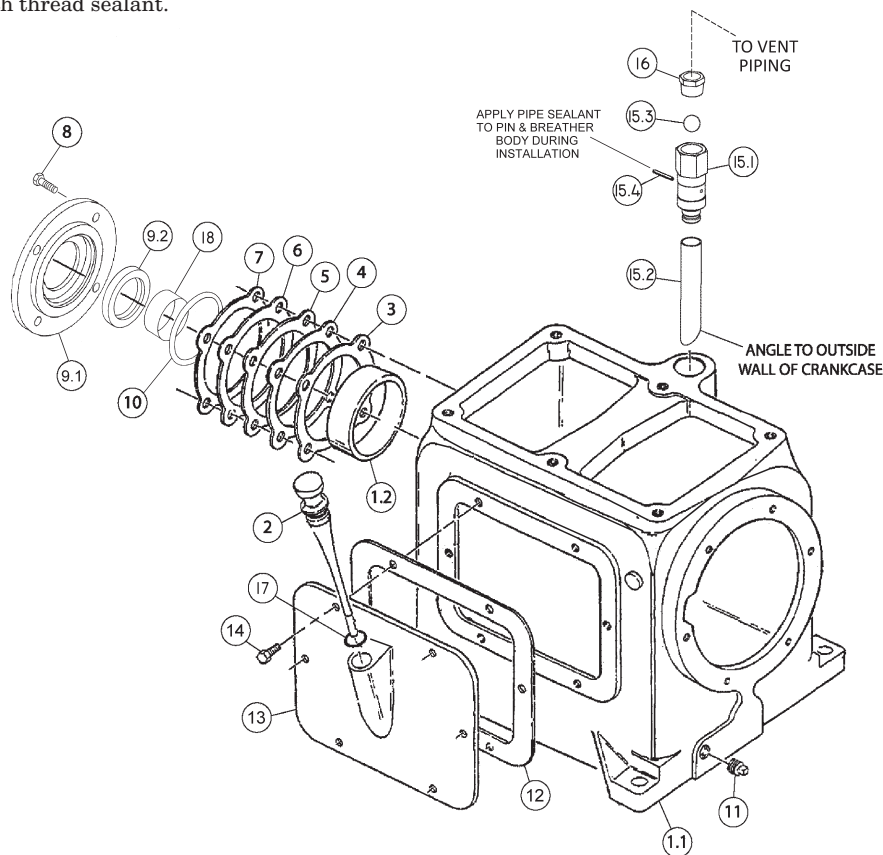
Item Number	Qty.	Part Number	Description
1	1	5503X003	crankcase assembly
1.1	1	5503-003	crankcase
1.2	1	2720	bearing cup
2	1	111876-1	oil gauge
3	*	6294	bearing adj. shim, .005 steel
4	*	6294A	bearing adj. shim, .007 steel
5	*	6294B	bearing adj. shim, .020 steel
6	*	6294C	bearing adj. shim, .005 paper
7	*	6294D	bearing adj. shim, .002 steel
8	4	142578-L10	hex. screw, 3/8-16 unc x .75, grade 5 (@ 30 ft.-lbs.)
9	1	2024308852	bearing adjustment plate assembly
9.1	1	2024308802	adjustment plate
§ 9.2	1	2024721601	oil seal
10	1	22749-040	"o"ring, 1/16 wide x 3.00 o.d.
‡ 11	1	1301	pipe plug, 3/8 npt
12	1	1840	inspection plate gasket
13	1	2322-1A	inspection plate (with oil filler)
14	6	142578-K12	hex. screw, 5/16-18 unc x 1.00, grade 5 (@ 12 ft.-lbs.)
15	1	112031X001	crankcase breather assembly
15.1	1	112031-001	breather body
15.2	1	112032-001	breather tube
15.3	1	5783-002	ball
15.4	1	110705-C11	roll pin
16	1	125868-002	bushing, 3/8 npt x 1/4 npt
17	1	22749-112	"o"ring, 3/32 wide x .69 o.d.
18	1	2023346101	shaft sleeve

* Quantity as required

@ Indicates torque value (dry threads). Tighten multiple bolts, capscrews & hex nuts in a criss-cross or alternating pattern. Bring each fastener to the recommended torque specification in even increments.

§ Installation tool 2025065702 required for oil seal replacement.

‡ Install with thread sealant.



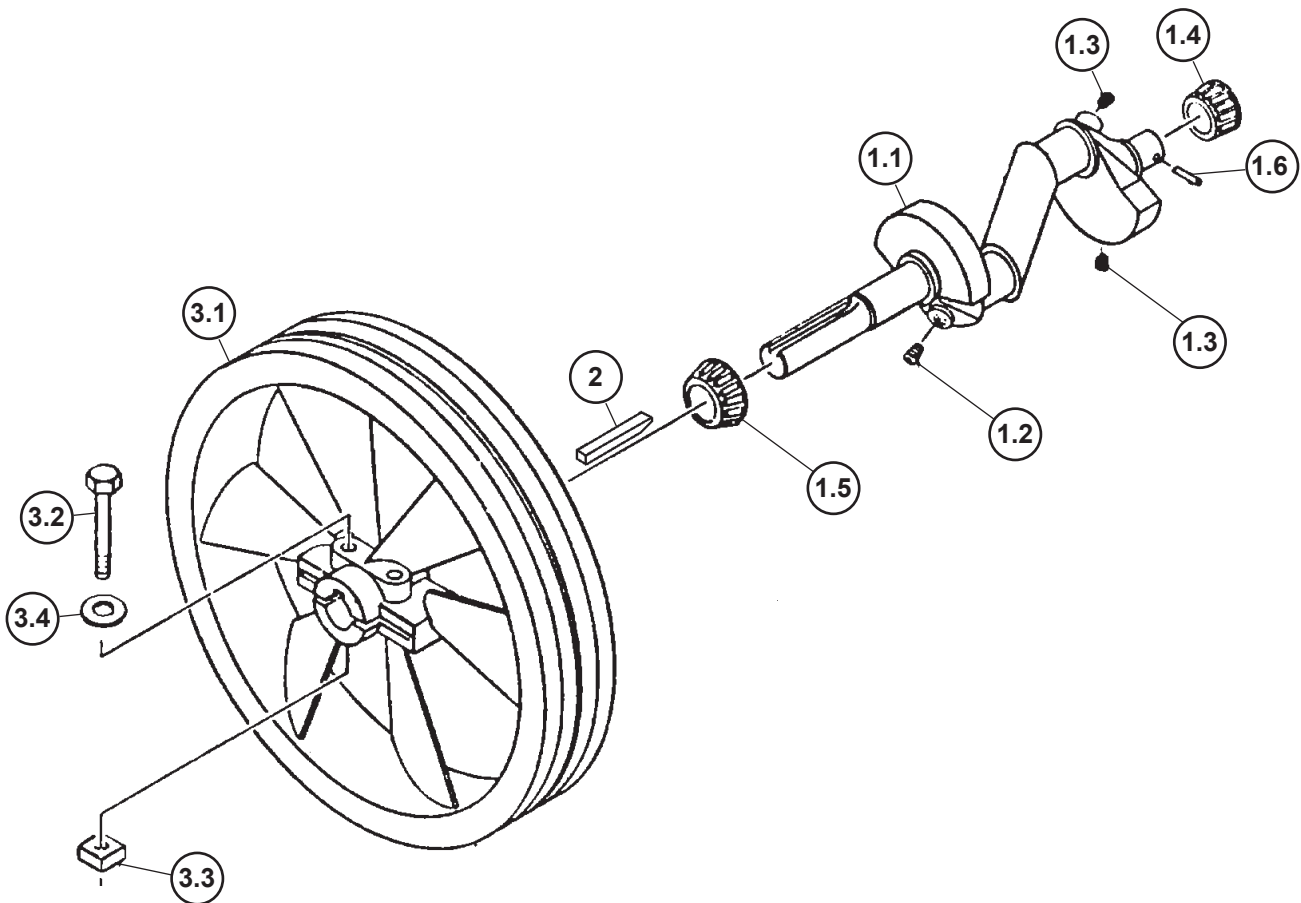
CRANKSHAFT GROUP 110238

Item Number	Qty.	Part Number	Description
1	1	110217	crankshaft assembly
1.1	1	110216	crankshaft (N.S.S.; order 110217)
1.2	1	110234	orifice, 1/8 npt
1.3	2	2755S	pipe plug, 1/8 npt
1.4	1	2585	bearing cone
1.5	1	2788	bearing cone
1.6	1	110705-F15	pin
2	1	1466	key
3	1	110472X	sheave assembly
3.1	1	110472	sheave, 16", 2 groove, B sect., ccw (N.S.S.; order 110472X)
3.2	2	110983-N23	hex. screw, 1/2-13 unc x 3.50, grade 8 (@ 90 ft.-lbs.)
3.3	2	116124-N02	square nut, 1/2-13 unc
3.4	2	110428N050	flatwasher, 1/2

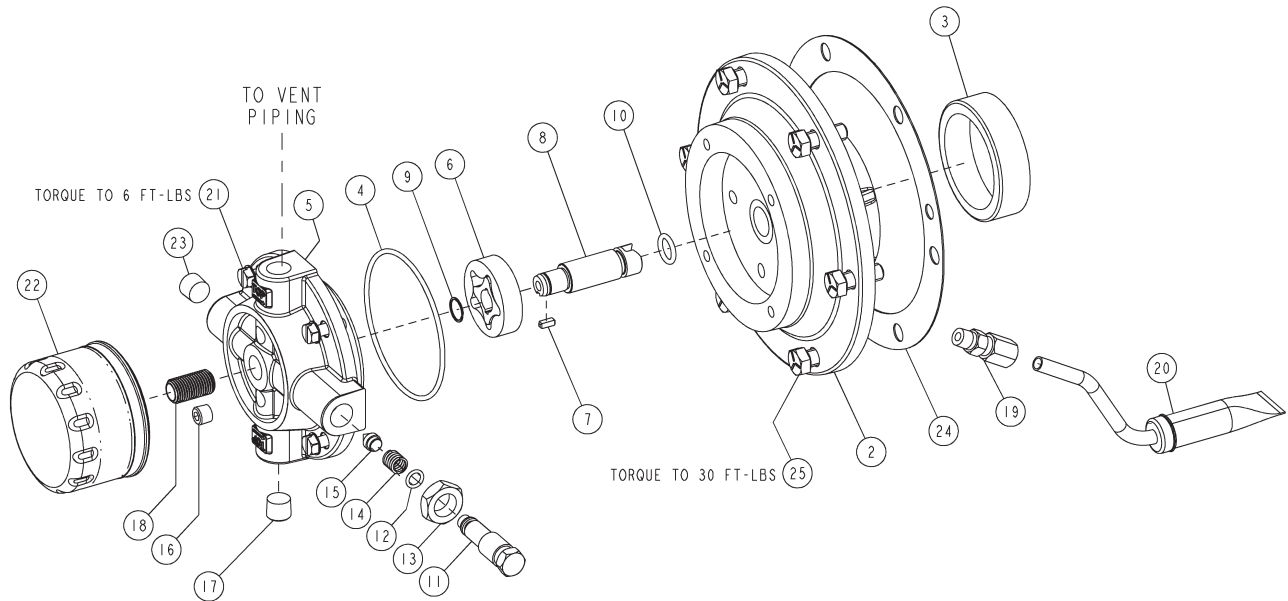
N.S.S. = Not Sold Separate

@ Indicates torque value (dry threads)

Note: For reversal of compressor rotation refer to QRNG instruction manual.



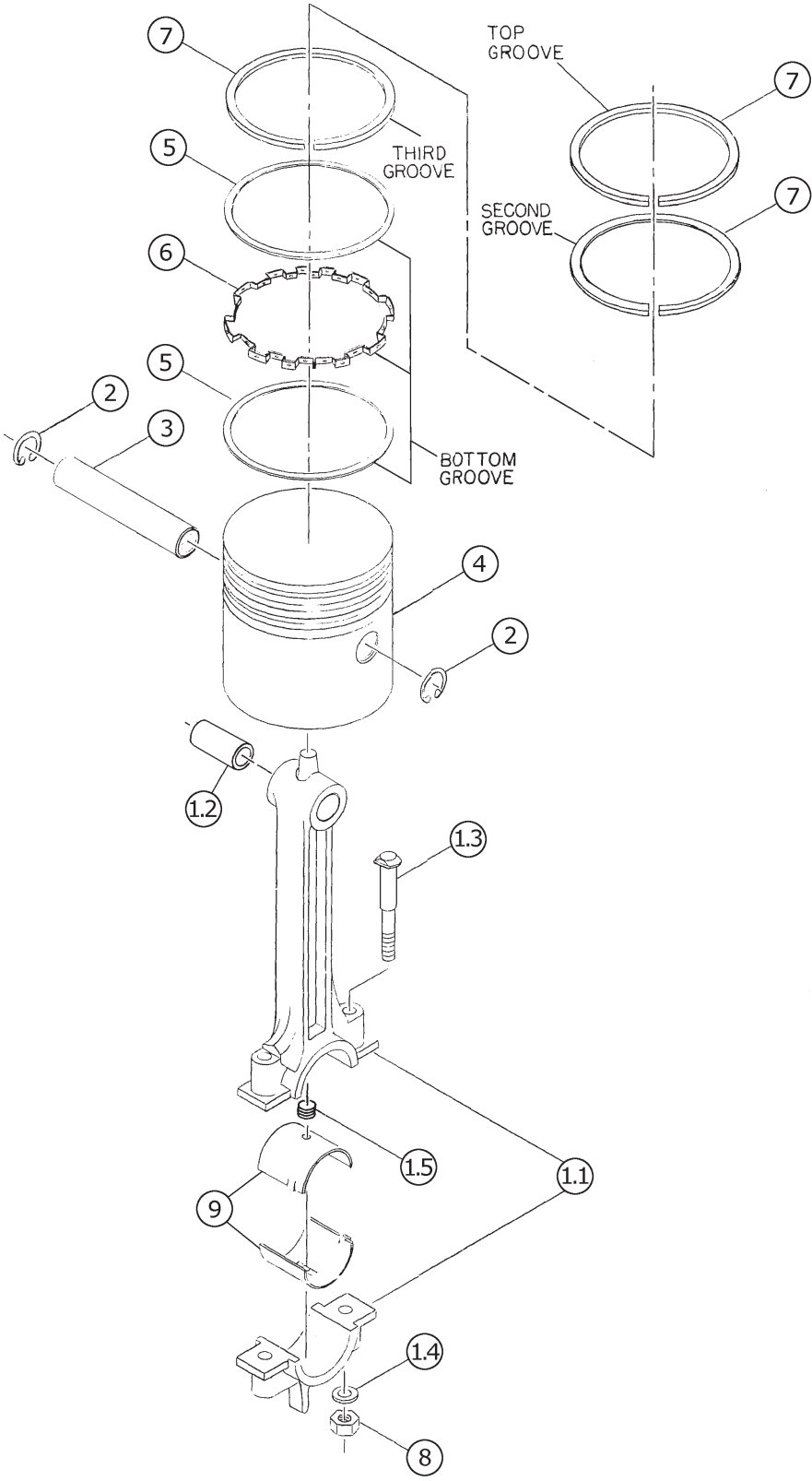
BEARING CARRIER GROUP 2024400061



2024400061 BEARING CARRIER GROUP			
ITEM	PART NUMBER	QTY	DESCRIPTION
1	2024400051	1	BEARING CARRIER ASSEMBLY (N.S.S. - ORDER KIT)
2	2024400001	1	BEARING CARRIER
3	2523	1	BEARING CUP
4	22749-152	1	O-RING, VITON
5	2024400601	1	OIL PUMP HOUSING
6	160003	1	OIL PUMP
7	160075-001	1	KEY
8	2024200202	1	OIL PUMP DRIVESHAFT
9	6285	1	RETAINING RING
10	22749-112	1	O-RING, VITON
11	5489	1	ADJUSTMENT SCREW
12	22749-011	1	O-RING, VITON
13	124369-P02	1	JAM NUT
14	1160	1	SPRING
15	112857	1	NEEDLE VALVE
16	2755S	1	PIPE PLUG, 1/8 NPT
*	17	1	PIPE PLUG, 1/4 NPT
**	18	1	FILTER STUD
***	19	1	TUBE FITTING, MALE CONNECTOR, 5/16 TUBE X 1/8 NPT
	20	1	OIL PICKUP TUBE WITH SCREEN
	21	4	MACHINE SCREW
	22	1	OIL FILTER
*	23	1	PIPE PLUG, 1/4 NPT
	24	1	BEARING CARRIER GASKET
	25	6	CAP SCREW, 3/8-16x1.00, GRADE 5
MAINTENANCE PARTS			
	2023400101		10 PACK OF OIL FILTERS
REPLACEMENT KITS			
	2024400081		BEARING CARRIER ASSEMBLY REPLACEMENT KIT INCLUDES BEARING CARRIER ASSEMBLY, FILTER, PLUG, AND GASKET

* INSTALL WITH PIPE SEALANT
 ** INSTALL WITH RETAINING COMPOUND
 *** INSTALL WITH PIPE SEALANT ON NPT & THREADLOCKER ON NUT
 N.S.S. = NOT SOLD SEPARATE
 TORQUE VALUES ARE FOR DRY THREADS. TIGHTEN MULTIPLE BOLTS, CAPSCREWS, AND HEX NUTS
 IN A CRISS-CROSS PATTERN. BRING EACH FASTENER TO THE RECOMMENDED TORQUE
 SPECIFICATION IN EVEN INCREMENTS.

CONNECTING ROD & PISTON GROUP 2021039801



CONNECTING ROD & PISTON GROUP 2021039801

Item Number	Qty.	Part Number	Description
1	1	111887-001	connecting rod assembly (N.S.S.; see maintenance parts)
1.1	1	111879	connecting rod (N.S.S.; see maintenance parts)
1.2	1	2024224912	bushing
1.3	2	3493	connecting rod bolt
1.4	2	1836	washer
1.5	1	110801-001	pipe plug orifice
2	2	8648	retaining ring
3	1	110190-017	piston pin
4	1	1275-001	piston
5	2	6591	piston rail
6	1	6590	expander oil ring
7	3	1464	piston ring
8	2	124471-L08	locknut, 3/8-24 unf (@ 35 ft.-lbs.)
9	2	6444	connecting rod bearing insert (N.S.S.; see maintenance parts)
Maintenance Parts			
	1	1275-011	piston (.010 oversize)
	1	1275-021	piston (.020 oversize)
	1	6586A	Ring Set
	1	4432-010	Ring Set (.010 oversize, light blue)
	1	4432-020	Ring Set (.020 oversize, yellow)
*	1	6444PR	connecting rod bearing inserts (1 pair, standard size)
*	1	6444-010PR	connecting rod bearing inserts (1 pair, .010 undersize)
		1275X001	Piston Assembly (standard) includes piston, piston pin, piston ring set & retaining rings
		1275G011	Piston Assembly (.010 oversize) includes piston, piston pin, piston ring set & retaining rings
		1275G021	Piston Assembly (.020 oversize) includes piston, piston pin, piston ring set & retaining rings
		6442G	Replacement Connecting Rod Assembly (standard) includes connecting rod assembly, inserts & locknuts
		6442GUS	Connecting Rod Assembly (.010 undersize) includes connecting rod assembly, inserts & locknuts

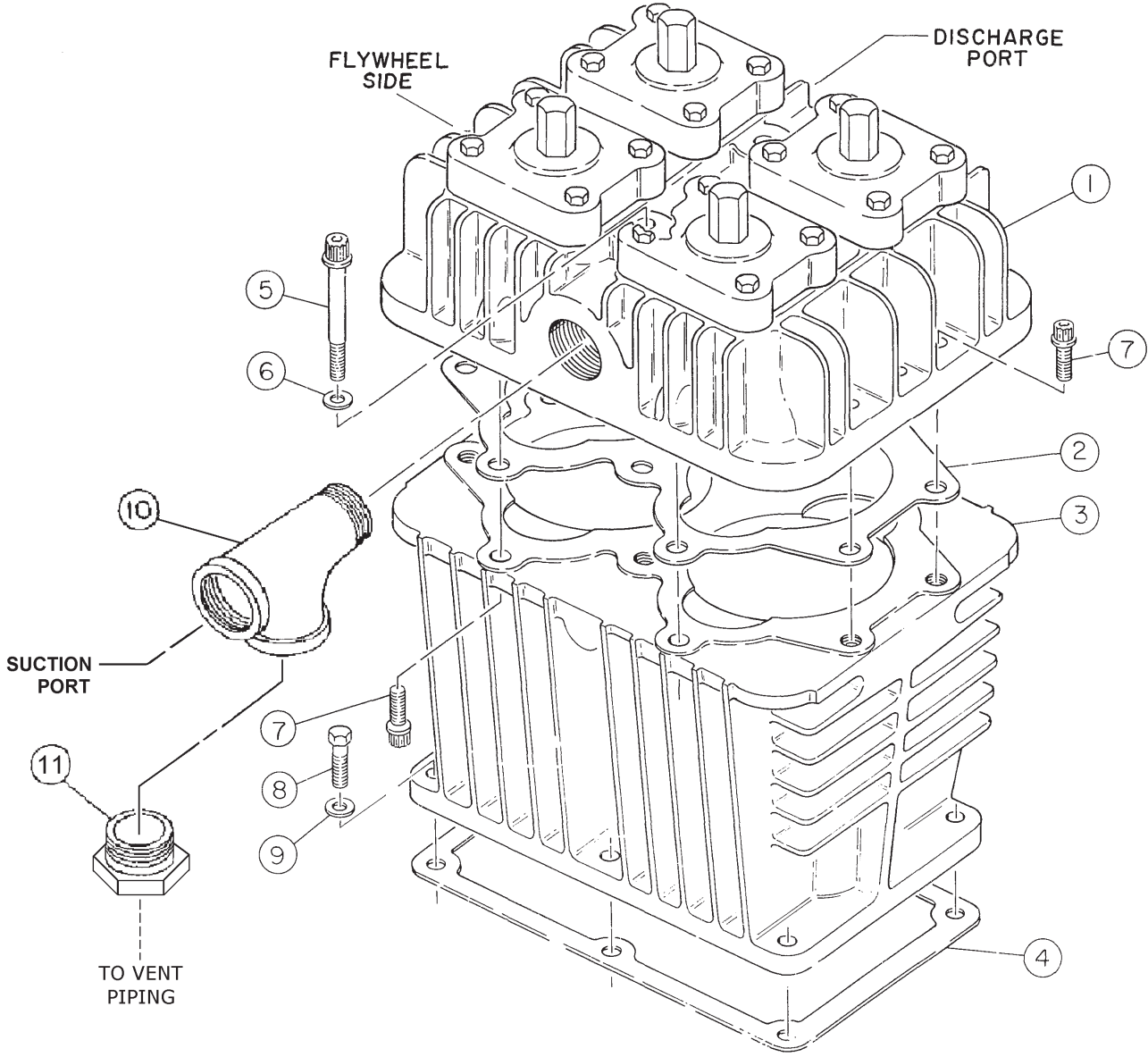
N.S.S. = Not Sold Separate

@ Indicates torque value (dry threads). Tighten multiple bolts, capscrews & hex nuts in a criss-cross or alternating pattern. Bring each fastener to the recommended torque specification in even increments.

* 1 Pair required for each connecting rod assembly.

CYLINDER & HEAD GROUP 2021039901

(plain head)



CYLINDER & HEAD GROUP 2021039901

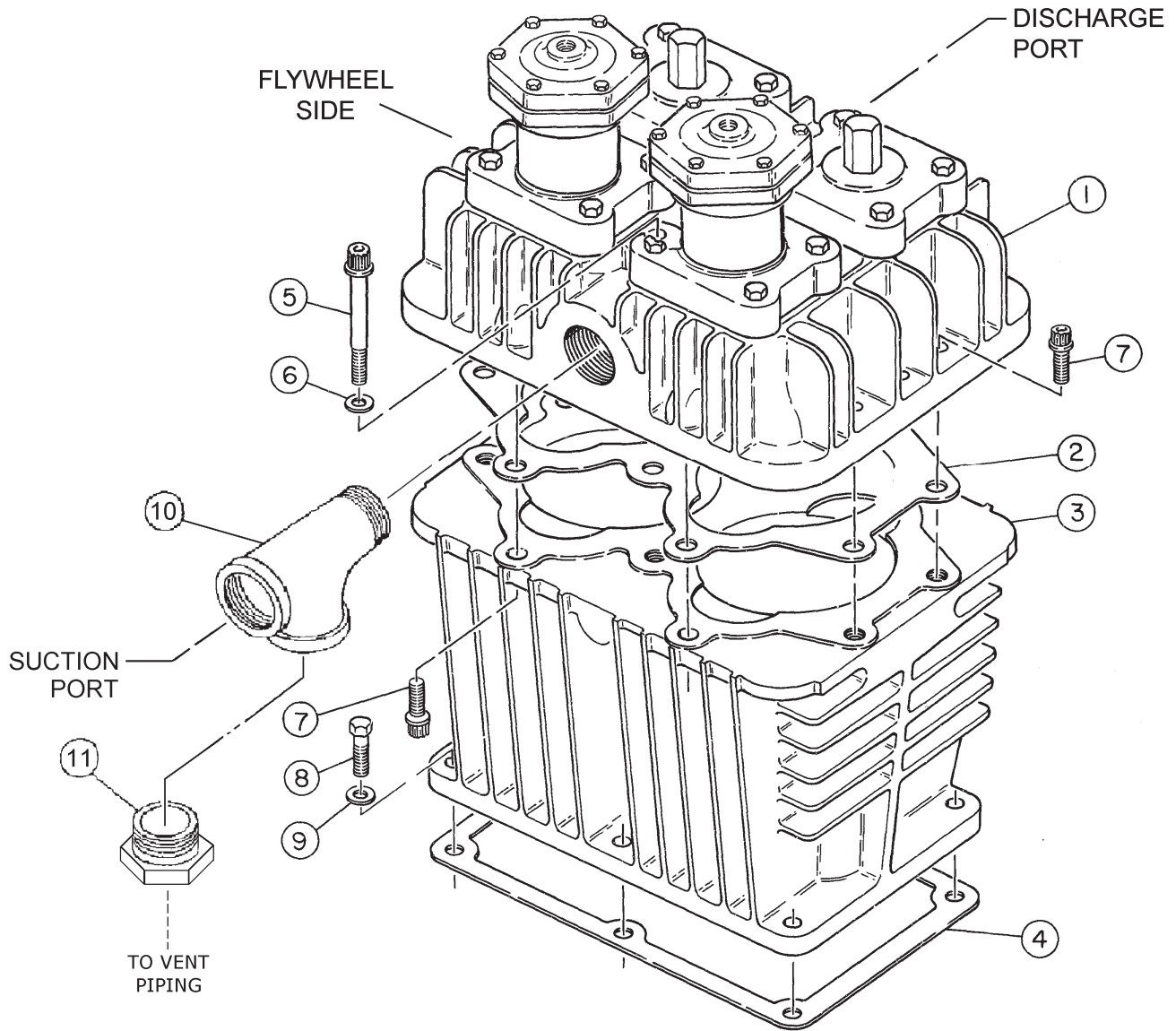
(plain head)

Item Number	Qty.	Part Number	Description
1	1	7887-2P	head assembly (see page 13 for parts breakdown)
2	1	6335-1	gasket
3	1	7889	cylinder
4	1	1833-1	gasket
5	2	2024812162	counterbore screw, 7/16-14 unc x 3.75, grade 8 (@ 50 ft.-lbs.)
6	2	6334-1	washer
7	8	2024812152	counterbore screw, 7/16-14 unc x 1.25, grade 8 (@ 50 ft.-lbs.)
8	6	142578-L14	hex.screw, 3/8-16 unc x 1.25, grade 5 (@ 50 ft.-lbs.)
9	6	123115-06Z	lockwasher-3/8
10	1	7590	pipe tee
11	1	2746	pipe bushing
			Maintenance Parts
	1	7887G2P	Replacement Head Assembly includes gasket & head assembly

@ Indicates torque value (dry threads). Tighten multiple bolts, capscrews & hex nuts in a criss-cross or alternating pattern. Bring each fastener to the recommended torque specification in even increments.

CYLINDER & HEAD GROUP 2021039902

(head with unloaders)



CYLINDER & HEAD GROUP 2021039902

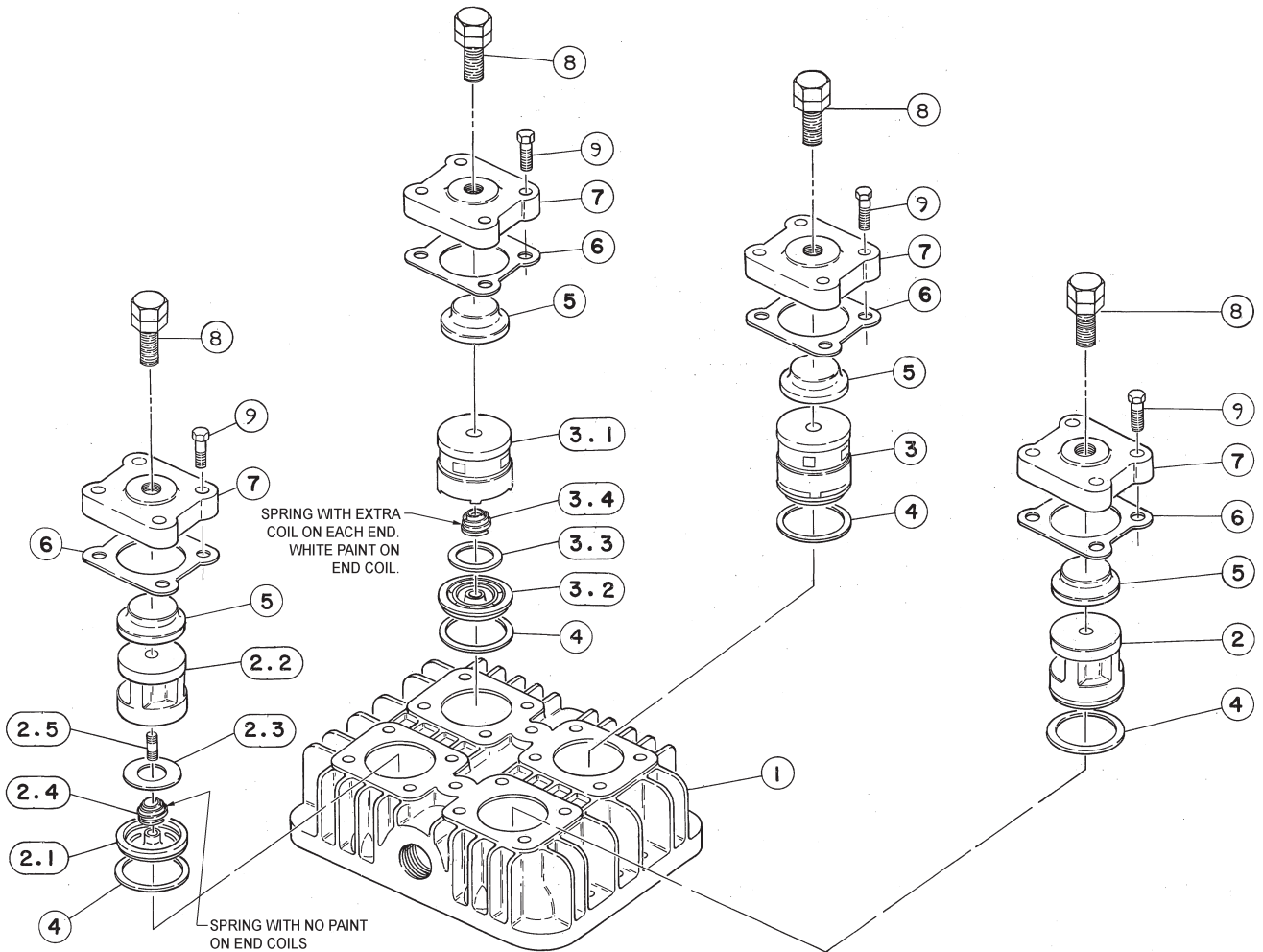
(head with unloaders)

Item Number	Qty.	Part Number	Description
1	1	7887-2UU	head assembly (see page 15 for parts breakdown)
2	1	6335-1	gasket
3	1	7889	cylinder
4	1	1833-1	gasket
5	2	2024812162	counterbore screw, 7/16-14 unc x 3.75, grade 8 (@ 50 ft.-lbs.)
6	2	6334-1	washer
7	8	2024812152	counterbore screw, 7/16-14 unc x 1.25, grade 8 (@ 50 ft.-lbs.)
8	6	142578-L14	hex.screw, 3/8-16 unc x 1.25, grade 5 (@ 50 ft.-lbs.)
9	6	123115-06Z	lockwasher-3/8
10	1	7590	pipe tee
11	1	2746	pipe bushing
			Maintenance Parts
	1	7887G2L	Replacement Head Assembly includes gasket & head assembly

@ Indicates torque value (dry threads). Tighten multiple bolts, capscrews & hex nuts in a criss-cross or alternating pattern. Bring each fastener to the recommended torque specification in even increments.

HEAD ASSEMBLY 7887-2P

(plain head)



HEAD ASSEMBLY 7887-2P

(plain head)

Item Number	Qty.	Part Number	Description
1	1	7887	head
2	2	7277X1	valve assembly
2.1	1	7277	valve bumper
2.2	1	1815	valve seat
2.3	1	1846	valve disc
2.4	1	7270	valve spring
2.5	1	1849	stud
3	2	7271X004	discharge valve assembly
3.1	1	7271-004	discharge valve bumper
3.2	1	1819-002	discharge valve seat
3.3	1	1846	valve disc
3.4	1	7270-2	valve spring
4	4	1848-001	gasket, valve
5	4	110639	spacer
6	4	1852-1	gasket, valve cover
7	4	5906	valve cover plate
‡ 8	4	2024801700	screw & nut assembly (screw @ 60 ft.-lbs. - nut @ 50 ft.-lbs.)
9	16	0144324242	hex. screw, 7/16-14 unc x 1.38, grade 5 (@ 50 ft.-lbs.)
			Maintenance Parts
	*	7277G	Replacement Suction Valve Assembly includes suction valve assembly & valve gasket
	*	7271G	Replacement Discharge Valve Assembly includes discharge valve assembly & valve gasket

@ Indicates torque value (dry threads). Tighten multiple bolts, capscrews & hex nuts in a criss-cross or alternating pattern. Bring each fastener to the recommended torque specification in even increments.

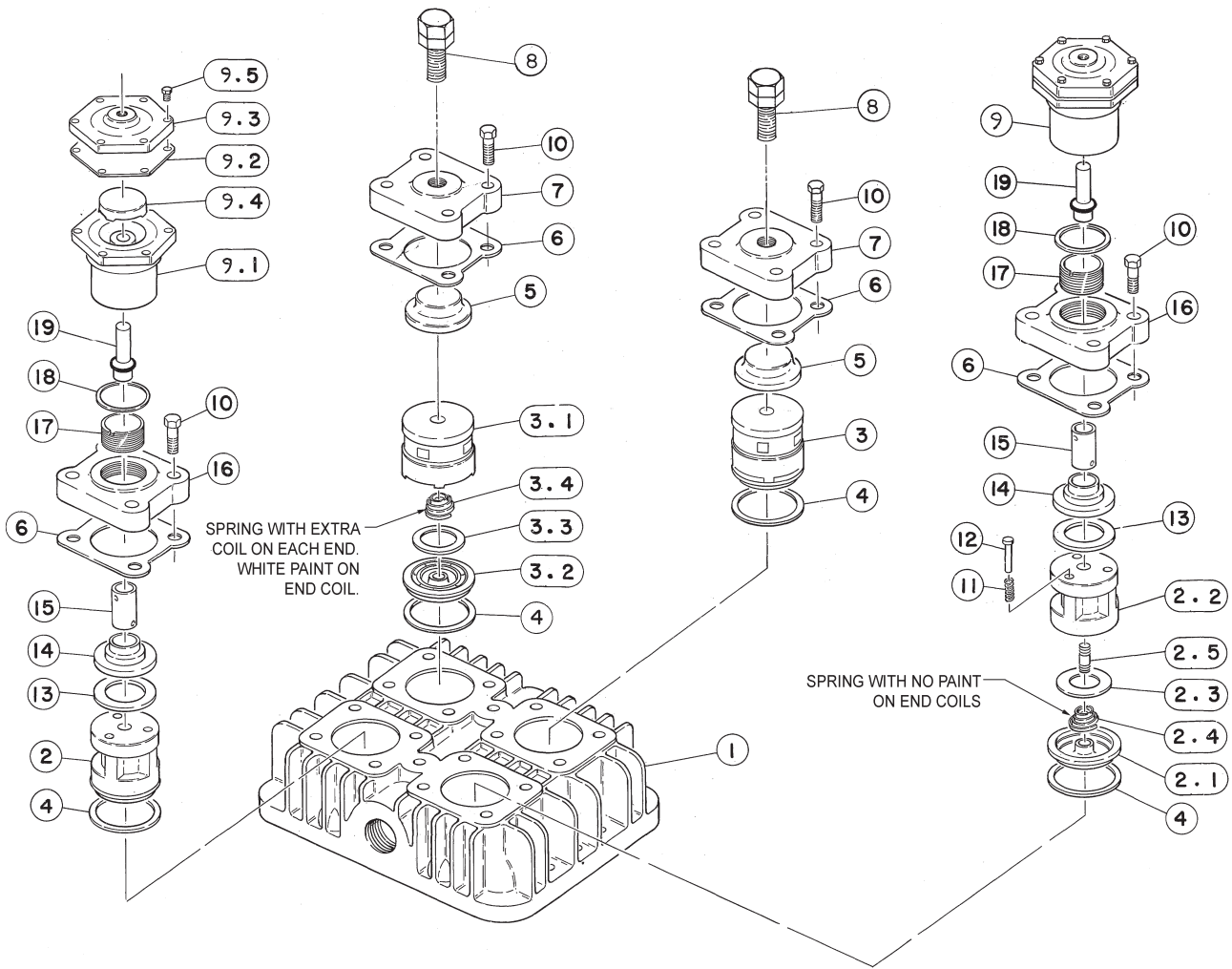
Note: Tighten & torque valve cover plate hex screws (item 9) prior to tightening valve clamp hex screws (item 8).

‡ Install with Loctite® 246 applied to threads.

* 2 Required per head assembly.

HEAD ASSEMBLY 7887-2UU

(head with unloaders)



HEAD ASSEMBLY 7887-2UU

(head with unloaders)

Item Number	Qty.	Part Number	Description
1	1	7887	head
2	2	7277X1	suction valve assembly
2.1	1	7277	valve bumper
2.2	1	1815	valve seat
2.3	1	1846	valve disc
2.4	1	7270	valve spring
2.5	1	1849	stud
3	2	7271X004	discharge valve assembly
3.1	1	7271-004	valve bumper
3.2	1	1819-002	valve seat
3.3	1	1846	valve disc
3.4	1	7270-2	valve spring
4	4	1848-001	gasket
5	2	110639	spacer
6	4	1852-1	gasket
7	2	5906	valve cover plate
8	2	2024801700	screw & nut assembly (screw @ 60 ft.-lbs. - nut @ 50 ft.-lbs.)
9	2	40055-1	unloader assembly (@ 75 ft.-lbs.), (N.S.S.; order 7483X1)
9.1	1	7483-002	unloader body (N.S.S.; order 7483X1)
9.2	1	1855	diaphragm
9.3	1	1818B	diaphragm cover plate
9.4	1	5910	diaphragm disc
9.5	6	7499	hex. screw, 1/4-20 unc x .75, grade 2 (@ 6 ft.-lbs.)
10	16	0144324242	hex. screw, 7/16-14 unc x 1.38, grade 5 (@ 50 ft.-lbs.)
11	6	6910	valve spring
12	6	1857	valve pin
13	2	6925	platform
14	2	6964	spacer
15	2	6965-002	pin
16	2	6928	plate
17	2	3008	holddown screw/ (@ 60 ft.-lbs.)
18	2	1556	valve gasket
19	2	7532X1	unloader piston assembly

Maintenance Parts

1	7277GU	Replacement Suction Valve Assembly includes suction valve assembly, valve gasket, valve pin & unloader pin spring
1	7271G	Discharge Valve Assembly includes discharge valve assembly & valve gasket
1	7483X1	Replacement Unloader Assembly includes unloader piston assembly, unloader assembly, & valve gasket

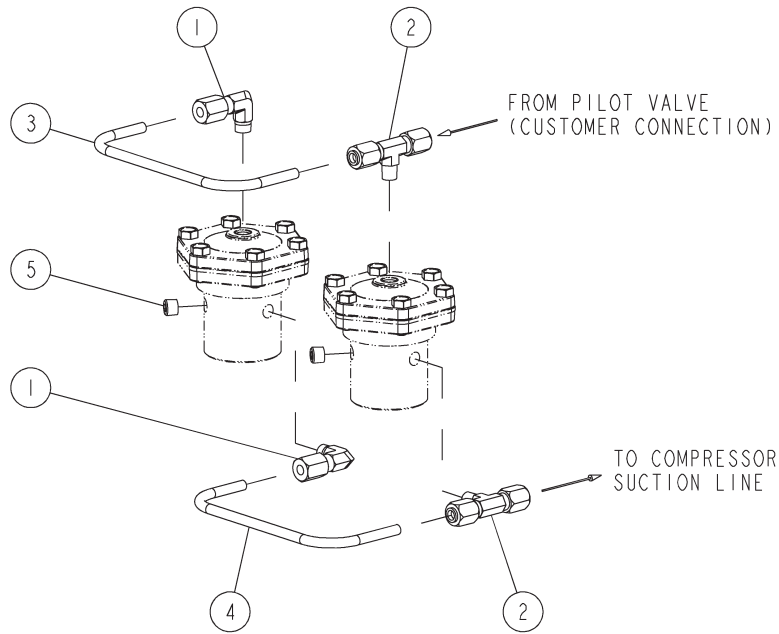
@ Indicates torque value (dry threads). Tighten multiple bolts, capscrews & hex nuts in a criss-cross or alternating pattern. Bring each fastener to the recommended torque specification in even increments.

* Install with Loctite® 246 applied to threads.

N.S.S. = Not Sold Separately

CONTROL GROUP 2021092101

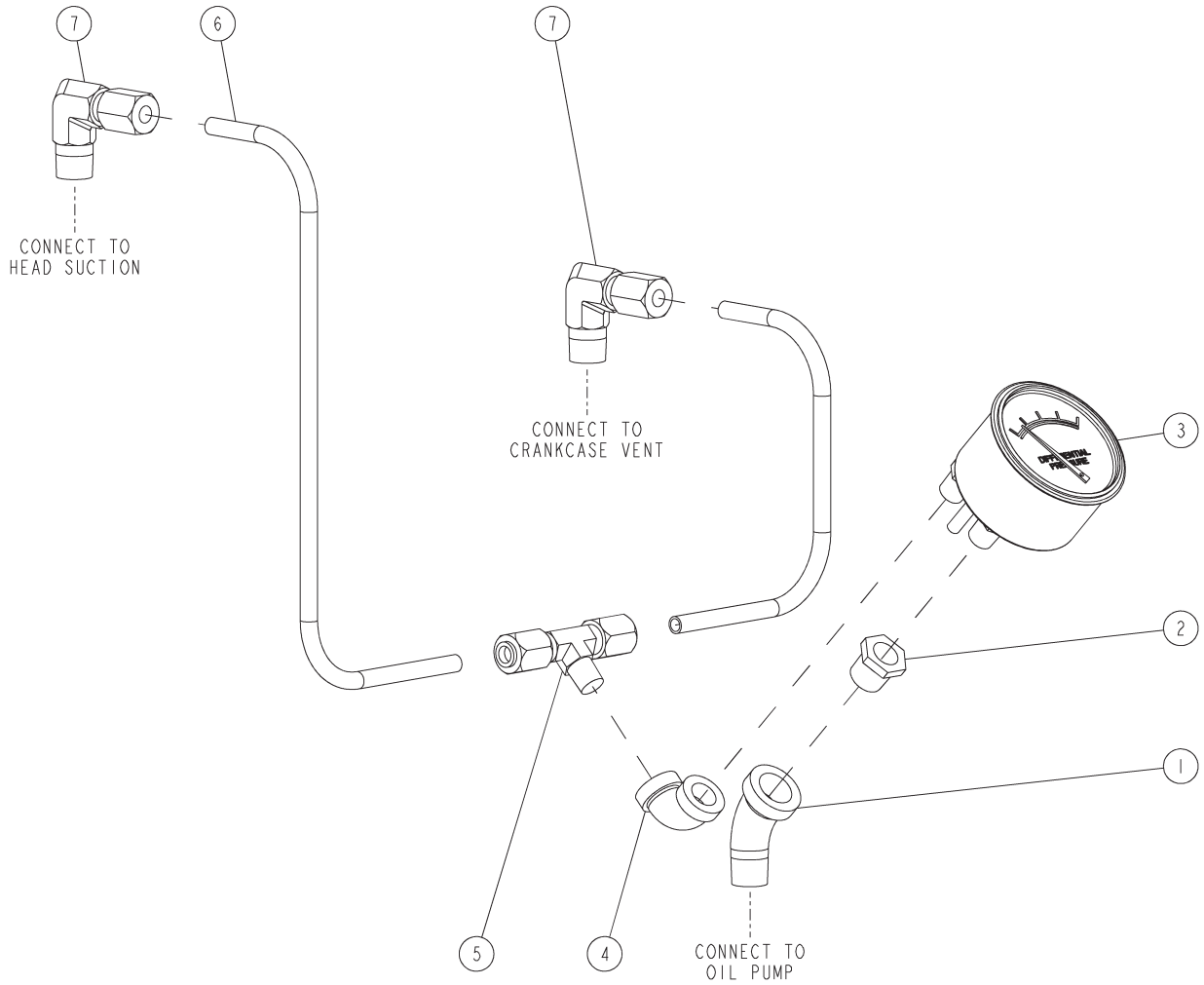
(head with unloaders)



2021092101 GROUP, CONTROL, QRNG UNLOADERS			
ITEM	PART NUMBER	QTY	DESCRIPTION
1	110419-004	2	TUBE FITTING, 90° ELBOW, 1/4T x 1/8MP
2	116268-002	2	TUBE FITTING, MALE BRANCH TEE, 1/4T X 1/8P
3	110421	1	1/4" STEEL TUBE (1 FT)
4	110421	1	1/4" STEEL TUBE (1 FT)
5	2755S	4	PIPE PLUG, 1/8 NPT

VENT PIPING GROUP 2021110801

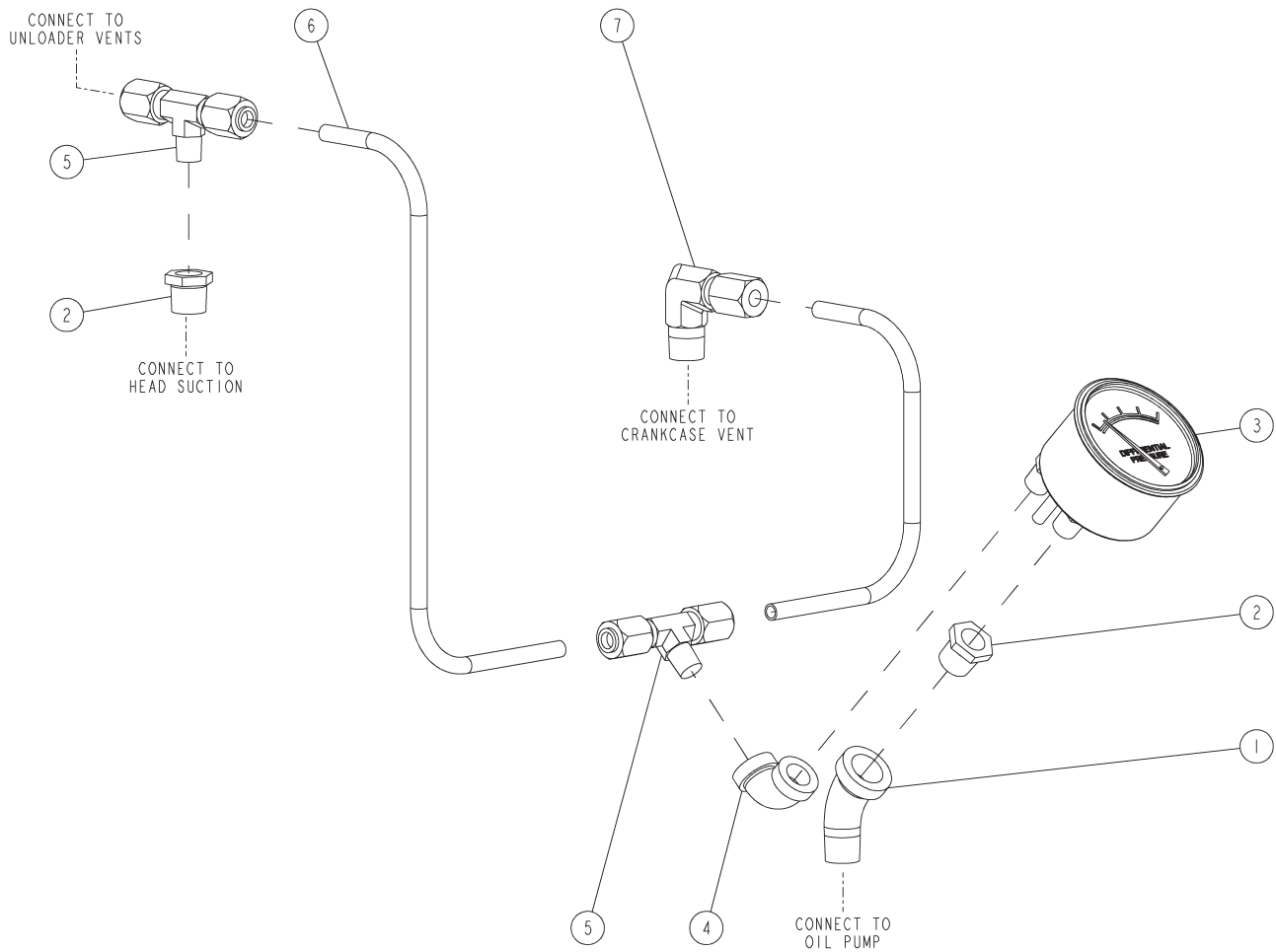
(plain head)



2021110801 CRANKCASE VENT PIPING GROUP			
ITEM	PART NUMBER	QTY	DESCRIPTION
1	123826-007	1	PIPE ELBOW, 1/4 NPT X 1/4 NPT, 45
2	125868-001	1	PIPE BUSHING, 1/4 NPT X 1/8 NPT
3	124972-001	1	OIL PRESSURE DIFFERENTIAL GAUGE
4	8225	1	PIPE ELBOW, 1/8 NPT X 1/8 NPT, 90°
5	116268-002	1	TUBE FITTING, MALE BRANCH TEE, 1/4T X 1/8P
6	110421	1	1/4" STEEL TUBE, 4 FT
7	110419-005	2	TUBE FITTING, 90° ELBOW, 1/4T X 1/4MP

VENT PIPING GROUP 2021110802

(head with unloaders)



2021110802 CRANKCASE VENT PIPING GROUP			
ITEM	PART NUMBER	QTY	DESCRIPTION
1	123826-007	1	PIPE ELBOW, 1/4 NPT X 1/4 NPT, 45
2	125868-001	2	PIPE BUSHING, 1/4 NPT X 1/8 NPT
3	124972-001	1	OIL PRESSURE DIFFERENTIAL GAUGE
4	8225	1	PIPE ELBOW, 1/8 NPT X 1/8 NPT, 90°
5	116268-002	2	TUBE FITTING, MALE BRANCH TEE, 1/4T X 1/8P
6	110421	1	1/4" STEEL TUBE, 4 FT
7	110419-005	1	TUBE FITTING, 90° ELBOW, 1/4T X 1/4MP

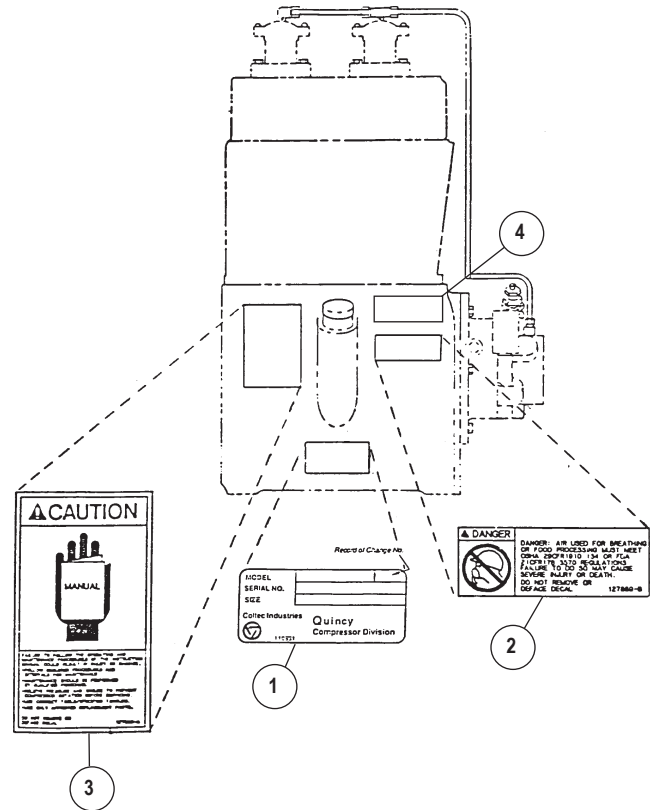
Gasket Set 7128G			
Item #	Qty.	Part Number	Description
1		1833-1	gasket, cylinder to crankcase
1		1840	inspection plate gasket
4		1848-001	valve gasket
4		1852-1	valve cover gasket
2		6294	bearing adj. shim, .005 steel
2		6294A	bearing adj. shim, .007 steel
1		6294B	bearing adj. shim, .020 steel
6		6294C	bearing adj. shim, .005 paper
2		6294D	bearing adj. shim, .002 steel
1		6312-1	bearing carrier gasket
1		6335-1	gasket, cylinder to head

Recommended Spare Parts			
Item #	Qty.	Part Number	Description
2		7277G	replacement suction valve assy.
2		7271G	replacement discharge valve assy.
1		124972-001	oil pressure differential gauge
1		2022132203	oil pump repair kit
1		7128G	gasket set
1		2023346101	shaft sleeve
1		2025065702	oil seal installation tool

QUIN-CIP LUBRICANT

Refer to the chart below to order Quin-Cip-D or Quin-Cip compressor lubricant from your local authorized Quincy distributor.

Quin-Cip-D Lubricant (synthetic)	
SAE 30 (ISO 100)	
Quart	115468Q
Case (12 Qts.)	115438C
Quin-Cip Lubricant	
SAE 10W (ISO 32)	
Quart	112541Q032
Case (12 Qts.)	112541C032
SAE 20 (ISO 68)	
Quart	112542Q068
Case (12 Qts.)	112542C068
SAE 30 (ISO 100)	
Quart	112543Q100
Case (12 Qts.)	112543C100



Decals			
Item #	Qty.	Part Number	Description
1	1	110831	serial number & nameplate
2	1	127889-A	decal, CAUTION!, MANUAL
3	1	127889-B	decal, DANGER!, "Air from this...."
4	1	113387	decal, CAUTION!, "Do not remove dipstick..."

"O" Ring Kit 2022116104			
Item #	Qty.	Part Number	Description
	1	22749-116	"o" ring, 3/32 wide x .94 o.d.
	1	22749-011	"o" ring, 1/16 wide x .44 o.d.
	2	22749-112	"o" ring, 3/32 wide x .69 o.d.
	1	22749-152	"o" ring, 3/32 wide x 3.44 o.d.
	1	2024721601	oil seal
	1	22749-040	"o" ring, 1/16 wide x 3.00 o.d.
	1	112033-908	"o" ring, 3/32 wide x .83 o.d.

Oil Pump Repair Kit 2022132203			
Item #	Qty.	Part Number	Description
	1	22749-152	"o"ring
	1	22749-112	"o"ring
	1	22749-011	"o"ring
	1	160003	oil pump gerotor
	1	160075-001	key
	1	6285	retaining ring
	1	2024200202	driveshaft

QUINCY COMPRESSOR

STANDARD TERMS AND CONDITIONS

LEGAL EFFECT: Except as expressly otherwise agreed to in writing by an authorized representative of Seller, the following terms and conditions shall apply to and form a part of this order and any additional and/or different terms of Buyer's purchase order or other form of acceptance are rejected in advance and shall not become a part of this order.

The rights of Buyer hereunder shall be neither assignable nor transferable except with the written consent of Seller.

This order may not be canceled or altered except with the written consent of Seller and upon terms which will indemnify Seller against all loss occasioned thereby. All additional costs incurred by Seller due to changes in design or specifications, modification of this order or revision of product must be paid for by Buyer.

In addition to the rights and remedies conferred upon Seller by this order, Seller shall have all rights and remedies conferred at law and in equity and shall not be required to proceed with the performance of this order if Buyer is in default in the performance of such order or of any other contract or order with seller.

TERMS OF PAYMENT: Unless otherwise specified in the order acknowledgment, the terms of payment shall be 1% 15, net forty-five (45) days after shipment. These terms shall apply to partial as well as complete shipments. If any proceeding be initiated by or against Buyer under any bankruptcy or insolvency law, or in the judgment of Seller the financial condition of Buyer, at the time the equipment is ready for shipment, does not justify the terms of payment specified, Seller reserves the right to require full payment in cash prior to making shipment. If such payment is not received within fifteen (15) days after notification of readiness for shipment, Seller may cancel the order as to any unshipped item and require payment of its reasonable cancellation charges.

If Buyer delays shipment, payments based on date of shipment shall become due as of the date when ready for shipment. If Buyer delays completion of manufacture, Seller may elect to require payment according to percentage of completion. Equipment held for Buyer shall be at Buyer's risk and storage charges may be applied at the discretion of Seller.

Accounts past due shall bear interest at the highest rate lawful to contract for but if there is no limit set by law, such interest shall be eighteen percent (18%). Buyer shall pay all cost and expenses, including reasonable attorney's fees, incurred in collecting the same, and no claim, except claims within Seller's warranty of material or workmanship, as stated below, will be recognized unless delivered in writing to Seller within thirty (30) days after date of shipment.

TAXES: All prices exclude present and future sales, use, occupation, license, excise, and other taxes in respect of manufacture, sales or delivery, all of which shall be paid by Buyer unless included in the purchase price at the proper rate or a proper exemption certificate is furnished.

ACCEPTANCE: All offers to purchase, quotations and contracts of sales are subject to final acceptance by an authorized representative at Seller's plant.

DELIVERY: Except as otherwise specified in this quotation, delivery will be F. O. B. point of shipment. In the absence of exact shipping instruction, Seller will use its discretion regarding best means of insured shipment. No liability will be accepted by Seller for so doing. All transportation charges are at Buyer's expense. Time of delivery is an estimate only and is based upon the receipt of all information and necessary approvals. The shipping schedule shall not be construed to limit seller in making commitments for materials or in fabricating articles under this order in accordance with Seller's normal and reasonable production schedules.

Seller shall in no event be liable for delays caused by fires, acts of God, strikes, labor difficulties, acts of governmental or military authorities, delays in transportation or procuring materials, or causes of any kind beyond Seller's control. No provision for liquidated damages for any cause shall apply under this order. Buyer shall accept delivery within thirty (30) days after receipt of notification of readiness for shipment. Claims for shortages will be deemed to have been waived if not made in writing with ten (10) days after the receipt of the material in respect of which any such shortage is claimed. Seller is not responsible for loss or damage in transit after having received "In Good Order" receipt from the carrier. All claims for loss or damage in transit should be made to the carrier.

TITLE & LIEN RIGHTS: The equipment shall remain personal property, regardless of how affixed to any realty or structure. Until the price (including any notes given therefore) of the equipment has been fully paid in cash, Seller shall, in the event of Buyer's default, have the right to repossess such equipment.

PATENT INFRINGEMENT: If properly notified and given an opportunity to do so with friendly assistance, Seller will defend Buyer and the ultimate user of the equipment from any actual or alleged infringement of any published United States patent by the equipment or any part thereof furnished pursuant hereto (other than parts of special design, construction, or manufacture specified by and originating with Buyer), and will pay all damages and costs awarded by competent court in any suit thus defended or of which it may have had notice and opportunity to defend as aforesaid.

STANDARD WARRANTY: Seller warrants that products of its own manufacture will be free from defects in workmanship and materials under normal use and service for the period specified in the product instruction manual. Warranty for service parts will be Ninety (90) days from date of factory shipment. Electric Motors, gasoline and diesel engines, electrical apparatus and all other accessories, components and parts not manufactured by Seller are warranted only to the extent of the original manufacturer's warranty.

Notice of the alleged defect must be given to the Seller, in writing with all identifying details including serial number, type of equipment and date of purchase within thirty (30) days of the discovery of the same during the warranty period.

Seller's sole obligation on this warranty shall be, at its option, to repair or replace or refund the purchase price of any product or part thereof which proves to be defective. If requested by Seller, such product or part thereof must be promptly returned to seller, freight prepaid, for inspection.

Seller warrants repaired or replaced parts of its own manufacture against defects in materials and workmanship under normal use and service for ninety (90) days or for the remainder of the warranty on the product being repaired.

This warranty shall not apply and Seller shall not be responsible or liable for:

- (a) Consequential, collateral or special losses or damages;
- (b) Equipment conditions caused by fair wear and tear, abnormal conditions of use, accident, neglect or misuse of equipment, improper storage or damage resulting during shipping;
- (c) Deviation from operating instructions, specifications or other special terms of sale;
- (d) Labor charges, loss or damage resulting from improper operation, maintenance or repairs made by person(s) other than Seller or Seller's authorized service station.

In no event shall Seller be liable for any claims whether arising from breach of contract or warranty or claims of negligence or negligent manufacture in excess of the purchase price.

THIS WARRANTY IS THE SOLE WARRANTY OF SELLERS AND ANY OTHER WARRANTIES, WHETHER EXPRESS OR IMPLIED IN LAW OR IMPLIED IN FACT, INCLUDING ANY WARRANTIES OF MERCHANTABILITY AND FITNESS FOR PARTICULAR USE ARE HEREBY SPECIFICALLY EXCLUDED.

LIABILITY LIMITATIONS: Under no circumstances shall the Seller have any liability for liquidated damages or for collateral, consequential or special damages or for loss of profits, or for actual losses or for loss of production or progress of construction, whether resulting from delays in delivery or performance, breach of warranty, negligent manufacture or otherwise.

ENVIRONMENTAL AND OSHA REQUIREMENTS: At the time of shipment of the equipment from the factory, Quincy Compressor / Ortman Fluid Power will comply with the various Federal, State and local laws and regulations concerning occupational health and safety and pollution. However, in the installation and operation of the equipment and other matters over which the seller has no control, the Seller assumes no responsibility for compliance with those laws and regulations, whether by the way of indemnity, warranty or otherwise.

June 30, 2003



Reciprocating / Systems: 217.222.7700
E-mail: info@quincycompressor.com
Website: quincycompressor.com

